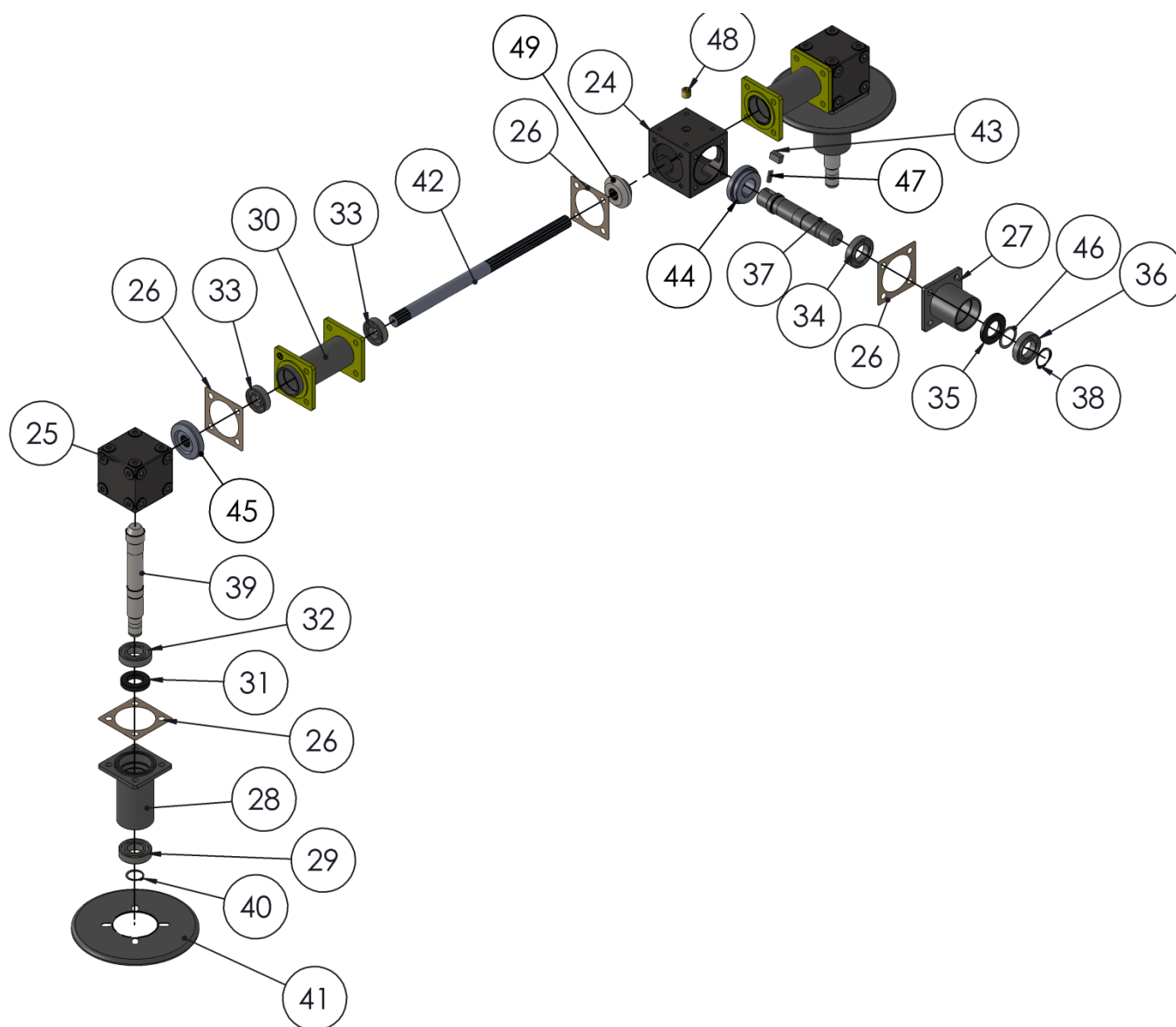


Item	Old Cod	Cod	Descrizione	Description	Q.ty	
1	800ARC0002	800ARVC002A	TERZO PUNTO CAT1°	THREE POINT LINKAGE CAT1	1	
2	8BASCI0003	8BASIVC003A	TRASMISSIONE TFU1150	GEAR TRANSMISSION TFU1150	1	
2	8BASCI0002	8BASIVC002A	TRASMISSIONE TFU1000	GEAR TRANSMISSION TFU1000	1	
2	8BASCI0001	8BASIVC001A	TRASMISSIONE TFU800	GEAR TRANSMISSION TFU800	1	
2	8BASCI0004	8BASIVC004A	TRASMISSIONE TFU800 2000RPM	TRANSMISSION TFU800 2000RPM	1	
2	8BASCI0005	8BASIVC005A	TRASMISSIONE TFU1000 2000RPM	TRANSMISSION TFU1000 2000RPM	1	
2	8BASCI0006	8BASIVC006A	TRASMISSIONE TFU 1150 2000RPM	TRANSMISSION TFU1150 2000RPM	1	
3	8BADSS0003	8BARSVC003A	DISCO SUPERIORE TFU1150	UPPER DISC TFU1150	2	
3	8BADSS0002	8BARSVC002A	DISCO SUPERIORE TFU1000	UPPER DISC TFU1000	2	
3	8BADSS0001	8BARSVC001A	DISCO SUPERIORE TFU800	UPPER DISC TFU1000	2	
4	8BADSI0003	8BARIVC003A	DISCO INFERIORE TFU1150	LOWER DISC TFU1150	2	
4	8BADSI0002	8BARIVC002A	DISCO INFERIORE TFU000	LOWER DISC TFU1000	2	
4	8BADSI0003	8BARIVC001A	DISCO INFERIORE TFU800	LOWER DISC TFU800	2	
5	8BACOF0003	8BACFVC003A	COFANO TFU1150	BONNET TFU1150	1	
5	8BACOF0002	8BACFVC002A	COFANO TFU1000	BONNET TFU1000	1	
5	8BACOF0001	8BACFVC001A	COFANO TFU800	BONNET TFU800	1	
6	8BAARC0003	8BAARVC115A	PORTA TERZO PUNTO TFU1150	CARRIAGE LINKAGE TFU1150	1	
6	8BAARC0002	8BAARVC100A	PORTA TERZO PUNTO TFU1000	CARRIAGE LINKAGE TFU1000	1	
6	8BAARC0001	8BAARVC080A	PORTA TERZO PUNTO TFU800	CARRIAGE LINKAGE TFU800	1	
7	7TL0000006	7TL00LA006A	TELA TFU 1150	CURTAIN GUARD TFU1150	1	
7	7TL0000005	7TL00LA005A	TELA TFU 1000	CURTAIN GUARD TFU1000	1	
7	7TL0000004	7TL00LA004A	TELA TFU 800	CURTAIN GUARD TFU800	1	
8	5080250055	5080250055	CALETATORE Ø25	TAPPER LOCK Ø25	2	
9	5170130380	5170130380	TAPPO OLIO	OIL CAP	1	
10	5204710721	5204710721	LAMA	BLADE	06-08	
11	5269900008	5269900008	CUFFIA	PTO GUARD	2	
12	5269900010	5269900010	PERNO Ø22	PIN Ø22,2X22,5	2	
13	5269900011	5269900011	PERNO Ø19	PIN Ø19 WITH CHAIN	1	
14	5269900013	5269900013	CAVALLOTTO	U BOLT	4	
15	418000520F	418000520F	SEEGER Ø52	HOLE CIRCLIP Ø52x2	2	
16	501006205S	501006205S	CUSCINETTO 6205 2RS	BEARING 6205 2RS	2	
17	418000250A	418000250A	SEEGER Ø25	SHAFT CIRCLIP Ø25x1,5	1	
18	417AL48A12	417AL48A12	RIVETTO	RIVET	15	
19	414AN10S1D	414AN10S1D	RONDELLA	WASHER	12	
20	4148Z10P3D	4148Z10P3D	RONDELLA	WASHER	5	
21	4058Z10020	4058Z10020	VITE M10X20	SCREW M10x20	06-08	
22	4008Z10025	4008Z10025	VITE M10x25	SCREW M10X25	10	
23	4008Z10020	4008Z10020	VITE M10x20	SCREW M10x20	2	

Gruppo ingranaggi 540/1000rpm

Gear transmission 540/1000rpm



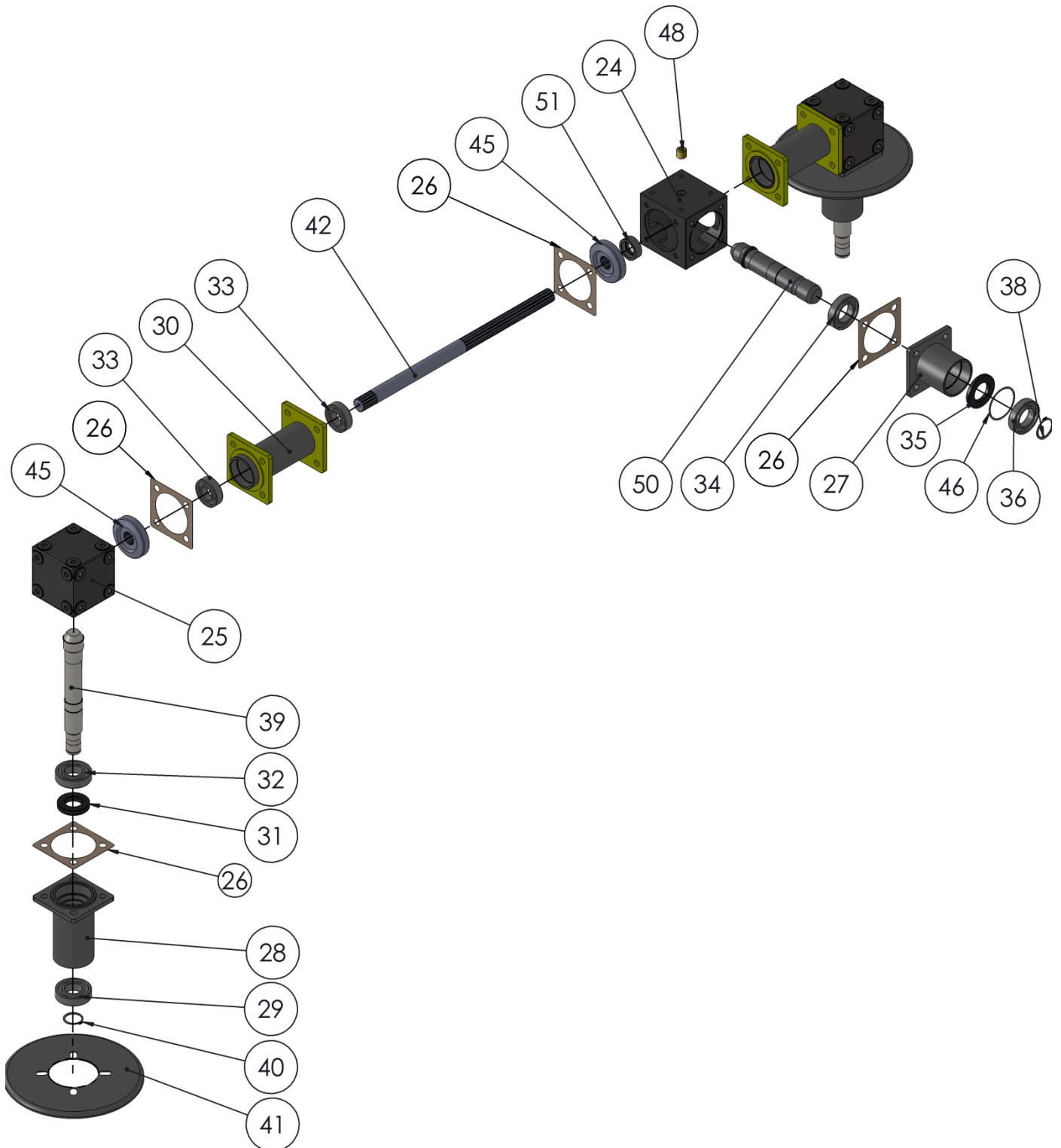
Gruppo ingranaggi 540/1000rpm

Gear transmission 540/1000rpm

Item	Old Cod	Cod	Descrizione	Description	Q.ty	
24	7SLGH00006	7SLGHFA006A	SCATOLA INGRANAGGI CENTRALE	GEAR BOX	1	
25	7SLGH00003	7SLGHDA005A	SCATOLA INGRANAGGI 100x100	SIDE GEAR BOX	2	
26	513G107070	513G107070	GUARNIZIONE	GASKET	7	
27	8BADST0002	8BADSSA002A	SUPPORTO ALBERO PDF	PTO SHAFT SUPPORT	1	
28	8BADST0001	8BADSSA001A	SUPPORTO PIGNONE LATERALE	SIDE PINION SUPPORT	2	
29	501006206S	501006206S	CUSCINETTO 6206 2RS	BEARING 6206 2RS	2	
30	8BADST0003	8BADSSA005A	DISTANZIALE TFU800	SPACER SUPPORT TFU800	2	
30	8BADST0004	8BADSSA004A	DISTANZIALE TFU1000	SPACER SUPPORT TFU1000	2	
30	8BADST0005	8BADSSA003A	DISTANZIALE TFU1150	SPACER SUPPORT TFU1150	2	
31	519S305510	519S305510	PARAOILIO 30-55-10	SEAL RING 30-55-10	2	
32	5010062060	5010062060	CUSCINETTO 6206	BEARING 6206	2	
33	501006205S	501006205S	CUSCINETTO 6205 2RS	BEARING 6205 2RS	3	
34	5010060070	5010060070	CUSCINETTO 6007	BEARING 6007	1	
35	519S356207	519S356207	PARAOILIO 35-62-7	SEAL RING 35-62-7	1	
36	501006007S	501006007S	CUSCINETTO 6007 2RS	BEARING 6007 2RS	1	
37	7ABF300012	7ABF3TA012A	ALBERO PDF	PTOF SHAFT	1	
38	418000350A	418000350A	SEEGER 35x1.5	SHAFT CIRCLIP Ø35x1.5	1	
39	7PG1801008	7PG18TA008A	PIGNONE Z8	PINION Z8	2	
40	418000300A	418000300A	SEEGER Ø30	SHAFT CIRCLIP Ø30	2	
41	7DCF300010	7DCF3FA010A	PARAERBA	COVER PROTECTION	2	
42	7AB4000001	7AB40FA001A	ALBERO TRASVERSALE TFU800	MIDDLE SHAFT TFU800	1	
42	7AB4000002	7AB40FA002A	ALBERO TRASVERSALE TFU1000	MIDDLE SHAFT TFU1000	1	
42	7AB4000003	7AB40FA003A	ALBERO TRASVERSALE TFU1150	MIDDLE SHAFT TFU1150	1	
43	7CHF300001	7CHF3TA001A	CHIAVETTA RUOTA LIBERA	KEY FREE WHEEL	1	
44	7CO1800003	7CO18TA003A	CORONA Z15	GEAR Z15	1	
45	7CO1800002	7CO18TA002A	CORONA Z12	GEAR Z12	2	
46	430A625605	430A625605	SPESSORE Øe62 Øi56x0,5	SPACER Øe62 Øi56 X 0,5	1	
47	5150250810	5150250810	MOLLA A COMPRESSIONE	SPRING	1	
48	5170130380	5170130380	TAPPO OLIO Ø62x7	OIL TAP	1	
49	7PG1800003	7PG18TA003A	PIGNONE Z12	PINION Z12	1	

Gruppo ingranaggi 2000 rpm

Gear transmission 2000 rpm

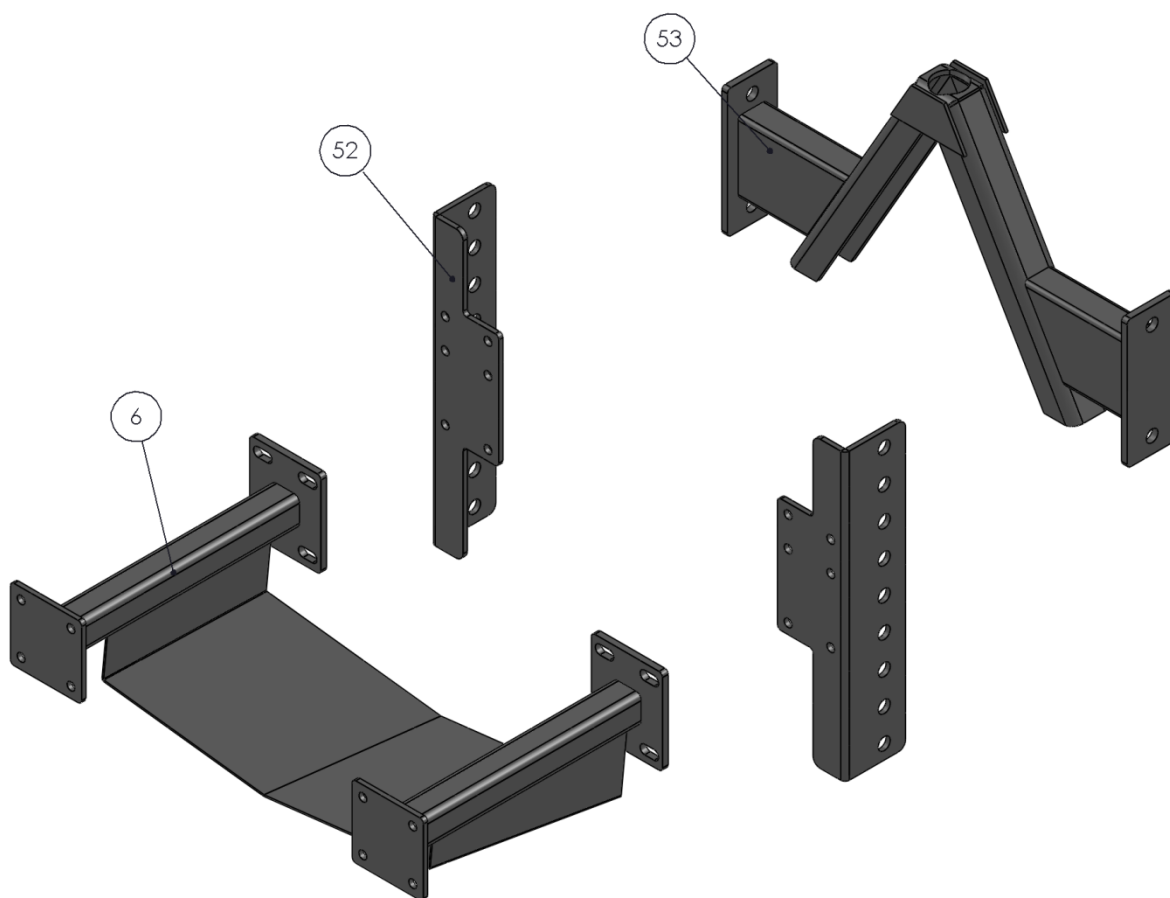


Gruppo ingranaggi 2000 rpm
Gear transmission 2000 rpm

Item	Old Cod	Cod	Descrizione	Description	Q.ty	
24	7SLGH00006	7SLGHFA006A	SCATOLA INGRANAGGI CENTRALE	GEAR BOX	1	
25	7SLGH00003	7SLGHDA005A	SCATOLA INGRANAGGI 100x100	SIDE GEAR BOX	2	
26	513G107070	513G107070	GUARNIZIONE	GASKET	7	
27	8BADST0002	8BADSSA002A	SUPPORTO ALBERO PDF	PTO SHAFT SUPPORT	1	
28	8BADST0001	8BADSSA001A	SUPPORTO PIGNONE LATERALE	SIDE PINION SUPPORT	2	
29	501006206S	501006206S	CUSCINETTO 6206 2RS	BEARING 6206 2RS	2	
30	8BADST0003	8BADSSA005A	DISTANZIALE TFU800	SPACER SUPPORT TFU800	2	
30	8BADST0004	8BADSSA004A	DISTANZIALE TFU1000	SPACER SUPPORT TFU1000	2	
30	8BADST0005	8BADSSA003A	DISTANZIALE TFU1150	SPACER SUPPORT TFU1150	2	
31	519S305510	519S305510	PARAOLIO 30-55-10	SEAL RING 30-55-10	2	
32	5010062060	5010062060	CUSCINETTO 6206	BEARING 6206	2	
33	501006205S	501006205S	CUSCINETTO 6205 2RS	BEARING 6205 2RS	3	
34	5010060070	5010060070	CUSCINETTO 6007	BEARING 6007 2RS	1	
35	519S356207	519S356207	PARAOLIO 35-62-7	SEAL RING 35-62-7	1	
36	501006007S	501006007S	CUSCINETTO 6007 2RS	BEARING 6007 2RS	1	
38	418000350A	418000350A	SEEGER 35x1.5	SHAFT CIRCLIP Ø35x1.5	1	
39	7PG1801008	7PG18TA008A	PIGNONE Z8	PINION Z8	2	
40	418000300A	418000300A	SEEGER Ø30	SHAFT CIRCLIP Ø30	2	
41	7DCF300010	7DCF3FA010A	PARAERBA	COVER PROTECTION	2	
42	7AB4000001	7AB40FA001A	ALBERO TRASVERSALE TFU800	MIDDLE SHAFT TFU800	1	
42	7AB4000002	7AB40FA002A	ALBERO TRASVERSALE TFU1000	MIDDLE SHAFT TFU1000	1	
42	7AB4000003	7AB40FA003A	ALBERO TRASVERSALE TFU1150	MIDDLE SHAFT TFU1150	1	
45	7CO1800002	7CO18TA002A	CORONA Z12	GEAR Z12	1	
46	430A625605	430A625605	SPESSORE Øe62 Øi56x0,5	SPACER Øe62 Øi56 X 0,5	1	
48	517O130380	517O130380	TAPPO OLIO Ø62X7	OIL TAP	1	
50	7AB1800004	7AB18TA004A	ALBERO PDF 200RPM	PTO SHAFT TFU 2000 RPM	1	
51	7SPF300020	7SPF3FA020A	SPESSORE Øe40 Øi 30/25 L=15mm	SPACER Øe40 Øi30/25 x 15	1	

ATTACCO A TRIANGOLO CAT Ø

TRIANGLE LINKAGE CAT Ø



Item	Old Cod	Cod	Descrizione	Description	Q.ty	
6	8BAARC0003	8BAARVC115A	PORTA TERZO PUNTO TFU1150	CARRIAGE LINKAGE TFU1150	1	
6	8BAARC0002	8BAARVC100A	PORTA TERZO PUNTO TFU1000	CARRIAGE LINKAGE TFU1000	1	
6	8BAARC0001	8BAARVC080A	PORTA TERZO PUNTO TFU800	CARRIAGE LINKAGE TFU800	1	
52		7ANF3VC014B	ANGOLARE PORTA ATTACCO	TRIANGLE LINKAGE SUPPORT	2	
53	800ARC00001	800ARVC001A	ATTACCO A TRIANGOLO CAT Ø	TRIANGLE LINKAGE CAT Ø	1	